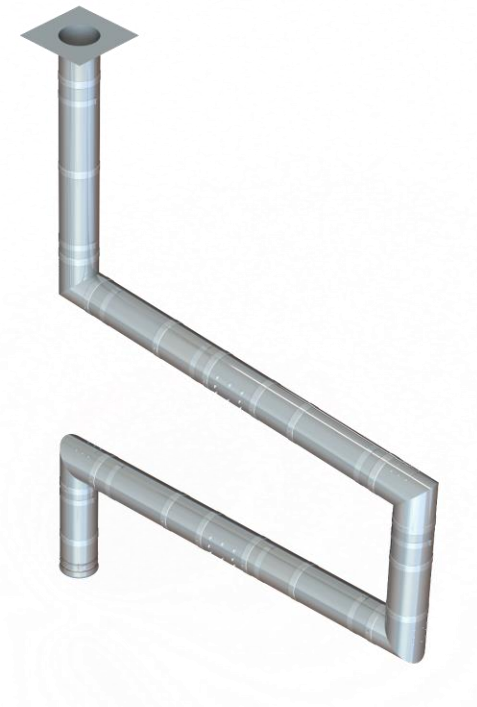


Grease Duct Spec

Model:

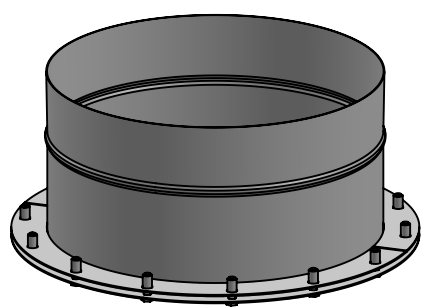
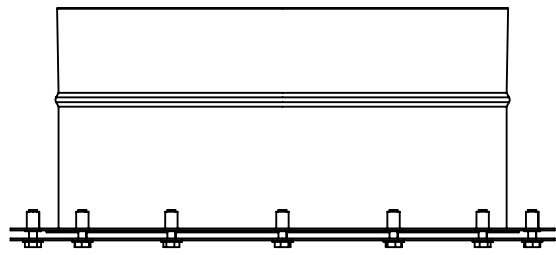
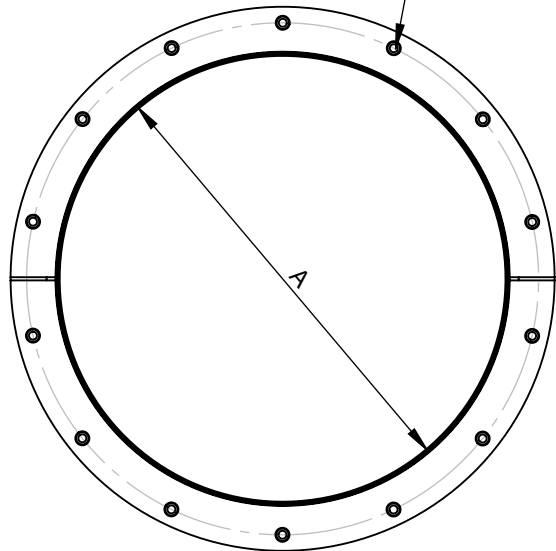
SW-NAKS-KIT006

**Single Wall Conical 12”
with Four Elbows**





1 2 3 4

1/4" X 1" BOLTS

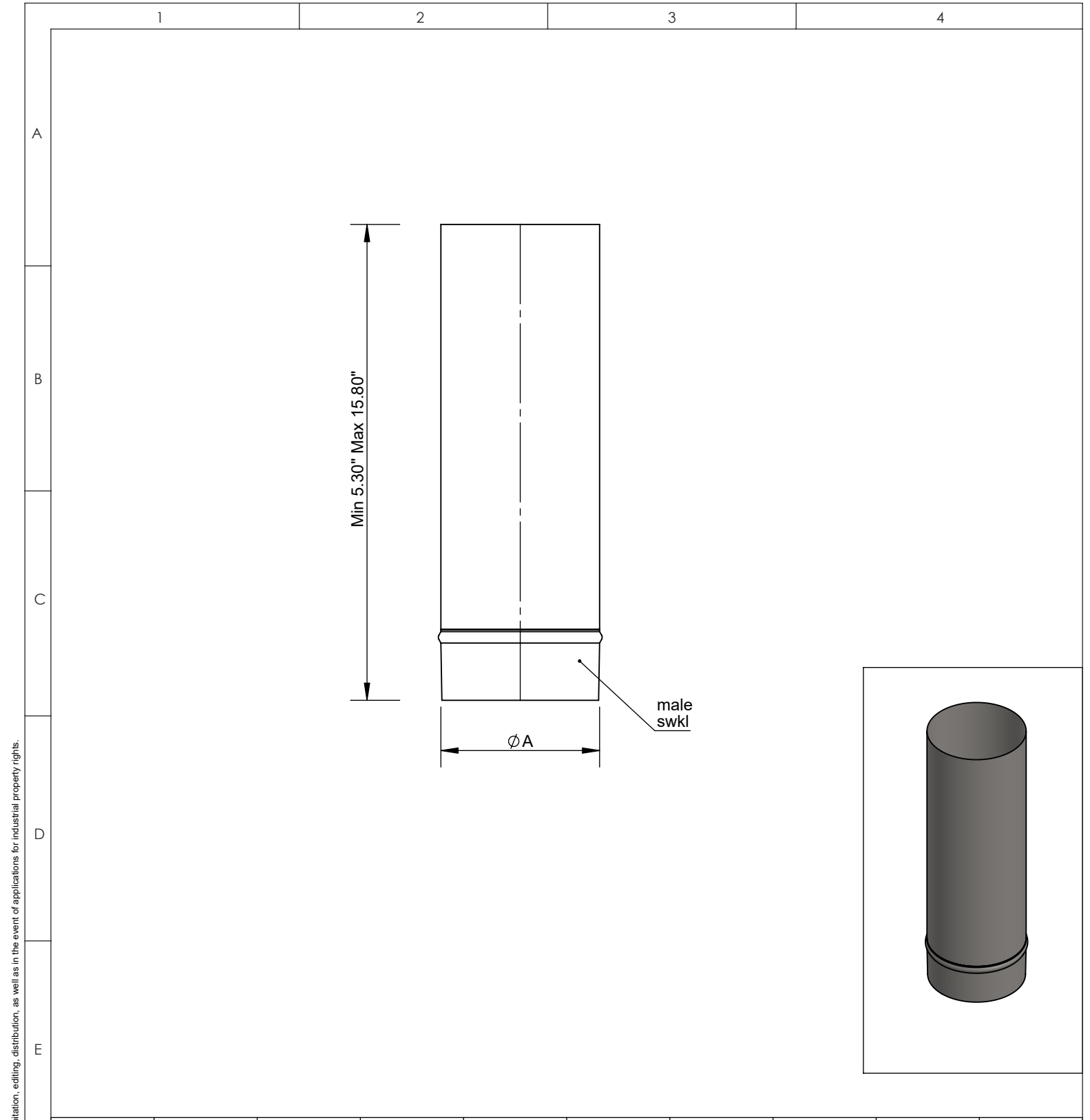


A
B
C
D
E



Ø	10	11	12	13	14	16	18	20	22
A	10	11	12	13	14	16	18	20	22

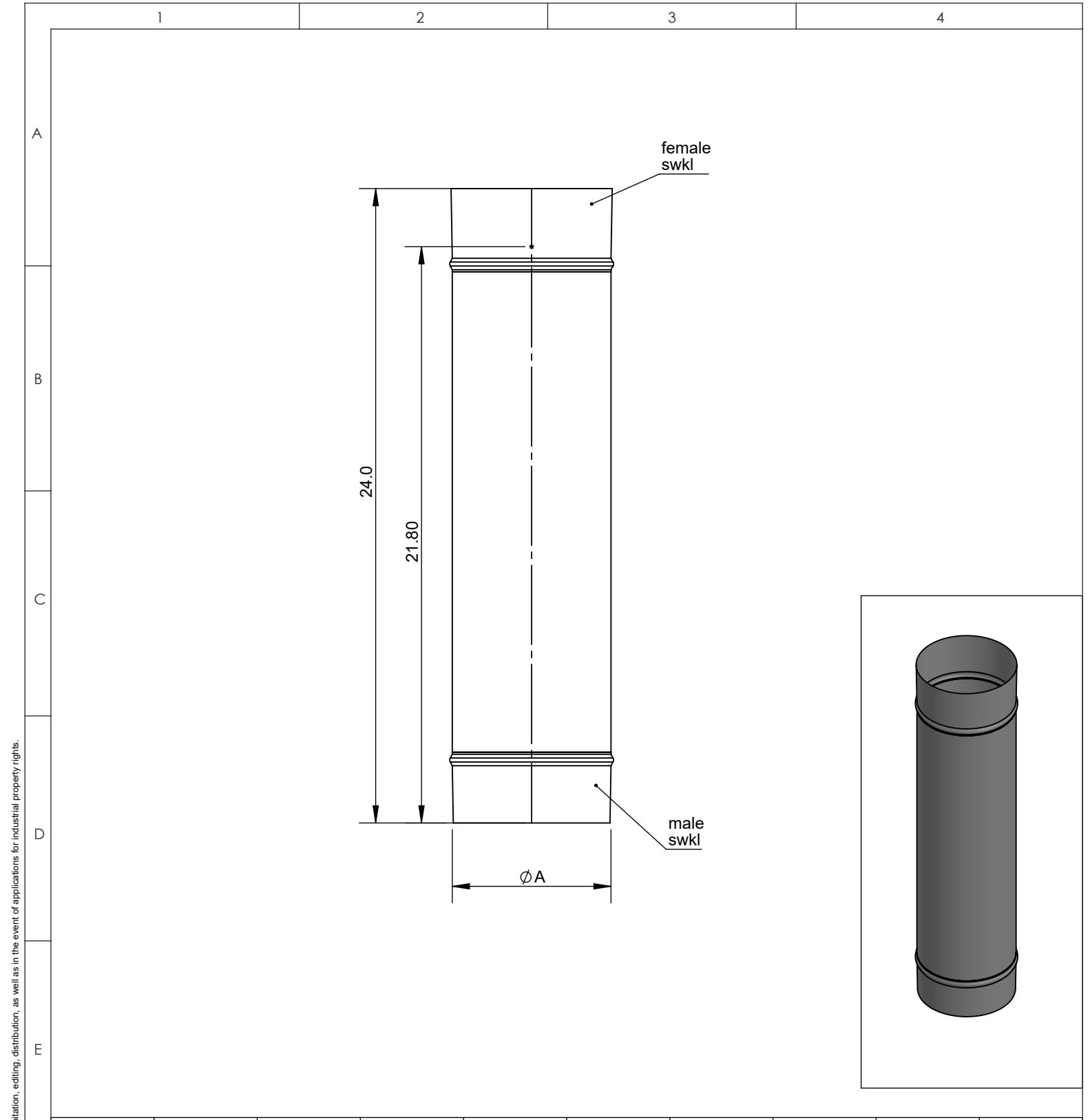
material: inside/outside	304	surface: inside/outside	BA	inch / lb		 NORTH AMERICAN KITCHEN SOLUTIONS INCORPORATED	scale	
				revisions-no.			format	
				date	name		description	US LETTER
				drawn by			No Weld Hood Adapter	sheet
				checked by				code
approved by		SWNAKSØ-NWHA						
modified by		drawing no.						

© NAKS Inc. All rights reserved, also regarding any disposal, exploitation, editing, distribution, as well as in the event of applications for industrial property rights.





© NAKS Inc. All rights reserved, also regarding any disposal, exploitation, editing, distribution, as well as in the event of applications for industrial property rights.

	Ø	10	11	12	13	14	16	18	20	22		
	A	10	11	12	13	14	16	18	20	22		
F	material: inside/outside	304		surface: inside/outside	BA		inch / lb				scale	
				revisions-no.	A		 NORTH AMERICAN KITCHEN SOLUTIONS INCORPORATED					format
				date		name					description KAB 18" Cut Length	
				drawn by				code				sheet
				checked by								SWNAKSØ-18CL
			approved by				drawing no.					
			modified by									



© NAKS Inc. All rights reserved, also regarding any disposal, exploitation, editing, distribution, as well as in the event of applications for industrial property rights.

	Ø	10	11	12	13	14	16	18	20	22	
	A	10	11	12	13	14	16	18	20	22	
F	material: inside/outside	304		surface: inside/outside	BA		inch / lb				scale
				revisions-no.		 NORTH AMERICAN KITCHEN SOLUTIONS INCORPORATED				format	
											sheet
											



NORTH AMERICAN KITCHEN SOLUTIONS
INCORPORATED

description **24" Fixed Length**


code **SWNAKSØ-24L**

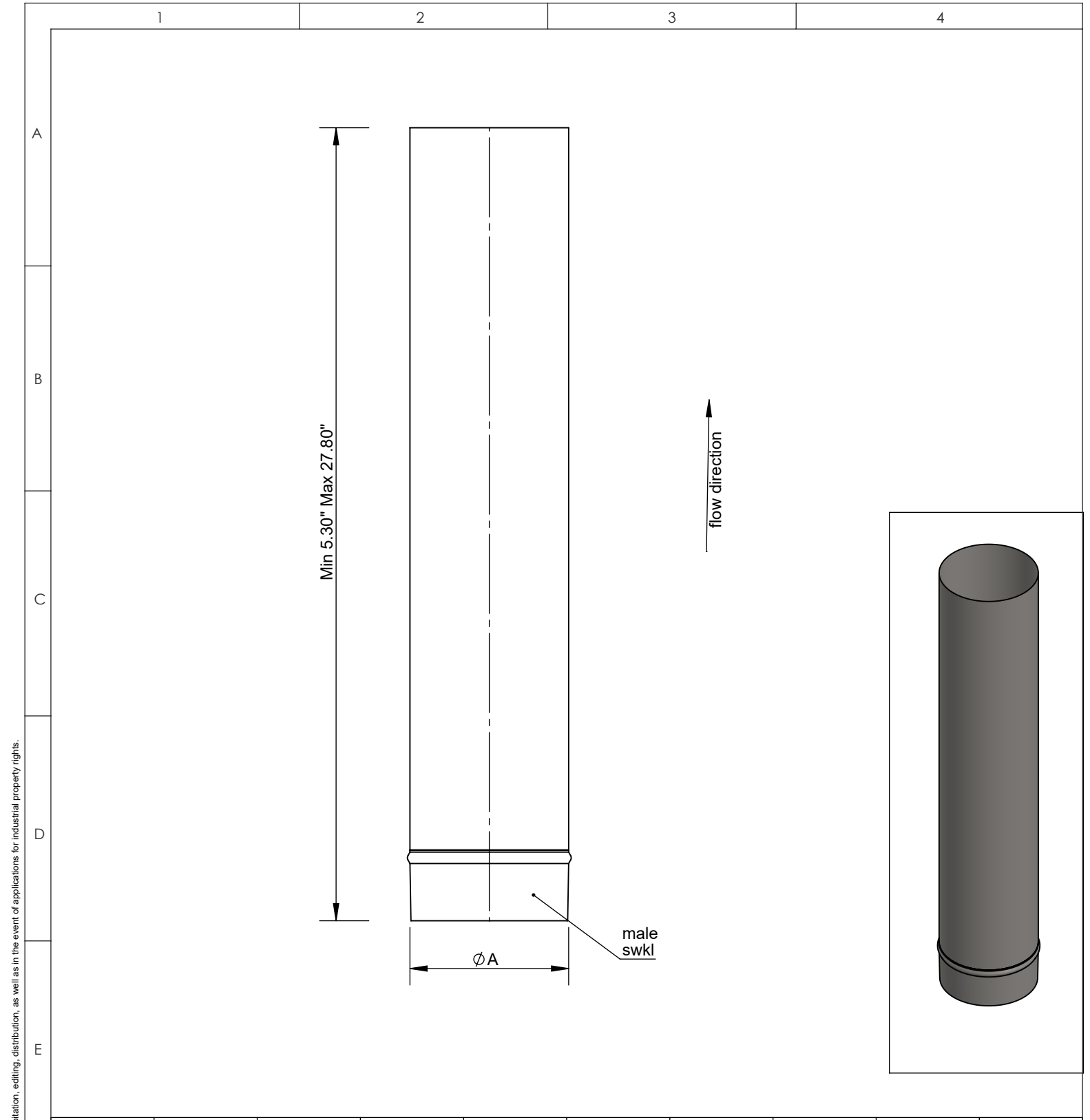
drawing no.

scale



format **US LETTER**

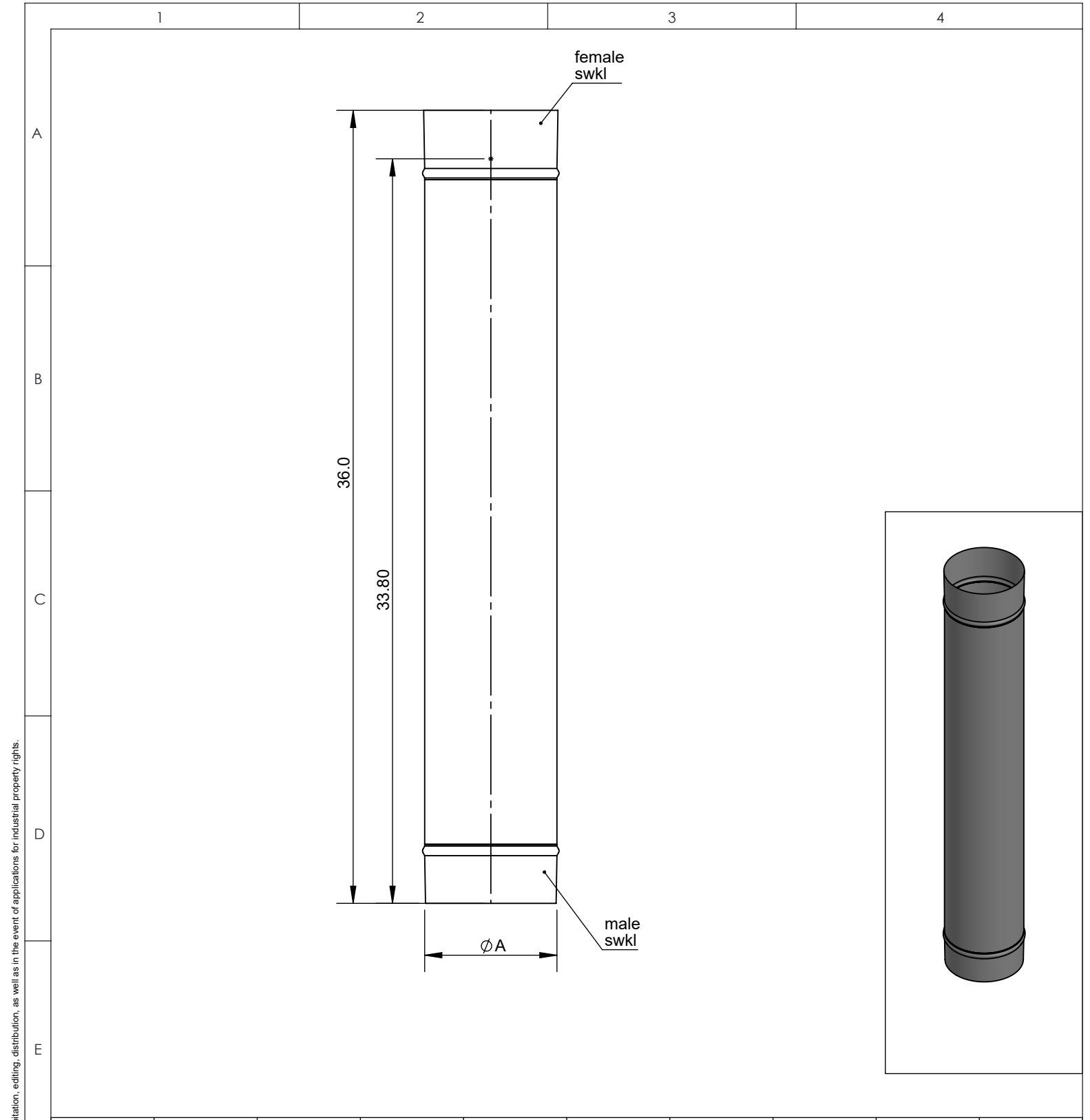
sheet






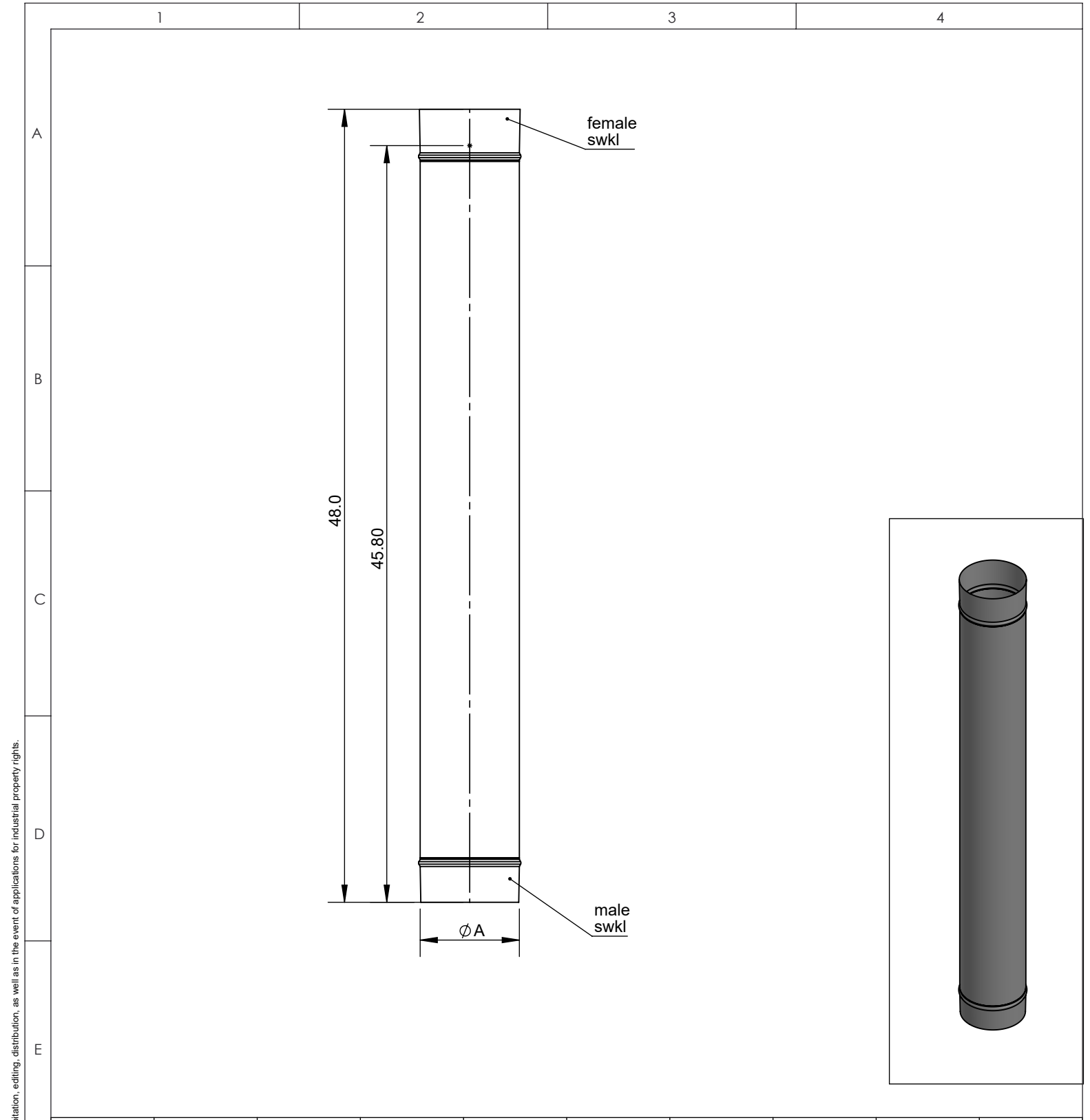
© NAKS Inc. All rights reserved, also regarding any disposal, exploitation, editing, distribution, as well as in the event of applications for industrial property rights.

	Ø	10	11	12	13	14	16	18	20	22	
	A	10	11	12	13	14	16	18	20	22	
F	material: inside/outside	304		surface: inside/outside	BA		inch / lb				scale
					revisions-no.				 NORTH AMERICAN KITCHEN SOLUTIONS INCORPORATED	format	
					date	name		description		US LETTER	
					drawn by					30" Cut Length	sheet
					checked by						code
				approved by			SWNAKSØ-30CL				
				modified by			drawing no.				



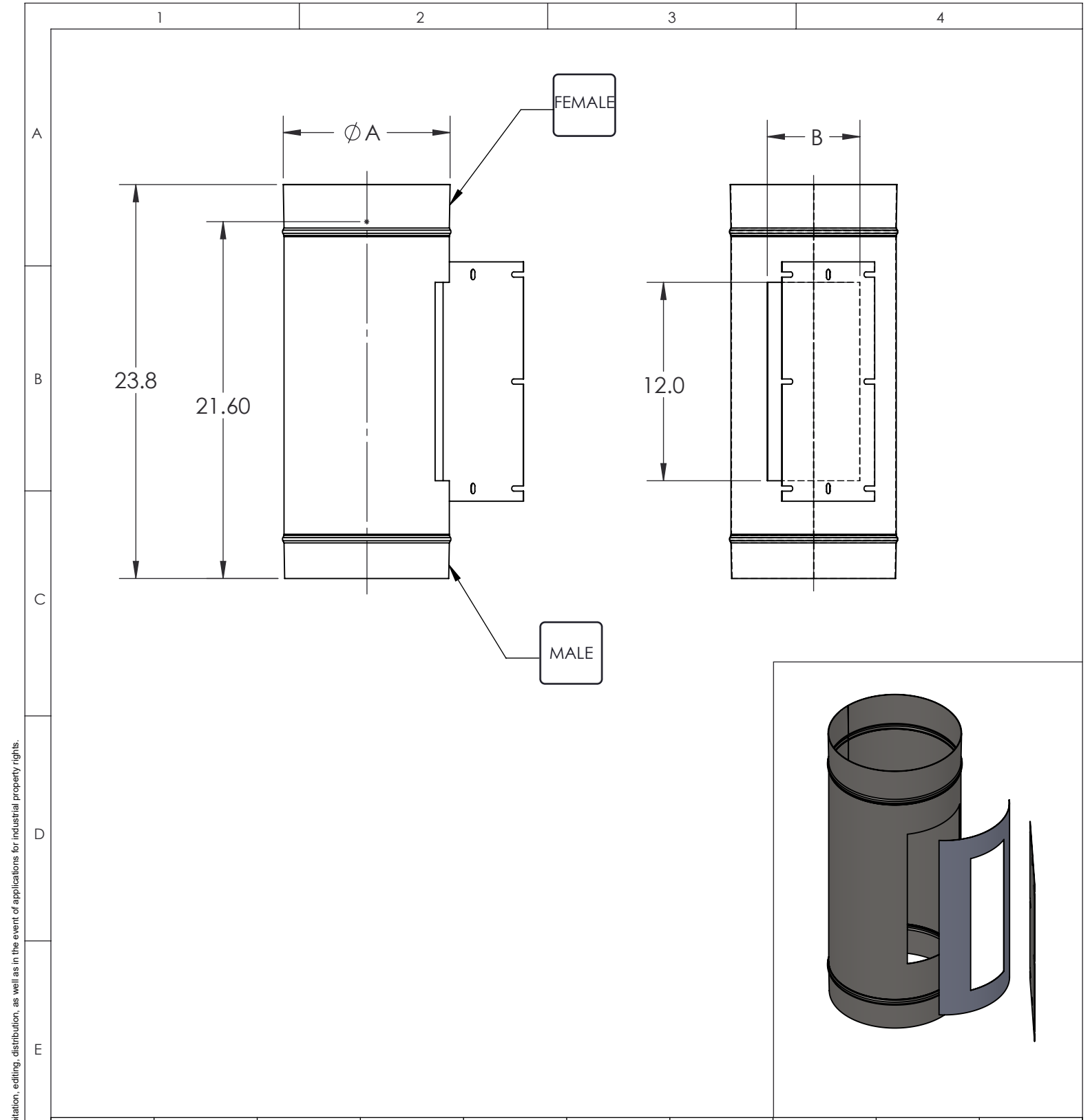
© NAKS Inc. All rights reserved, also regarding any disposal, exploitation, editing, distribution, as well as in the event of applications for industrial property rights.

	Ø	10	11	12	13	14	16	18	20	22			
	A	10	11	12	13	14	16	18	20	22			
F	material: inside/outside	304		surface: inside/outside	BA		inch / lb				scale		
							 NORTH AMERICAN KITCHEN SOLUTIONS INCORPORATED					format US LETTER	
											description		
							date	name		36" Fixed Length			
							drawn by			code			
						checked by			SWNAKSØ-36L				
						approved by			drawing no.				
						modified by							





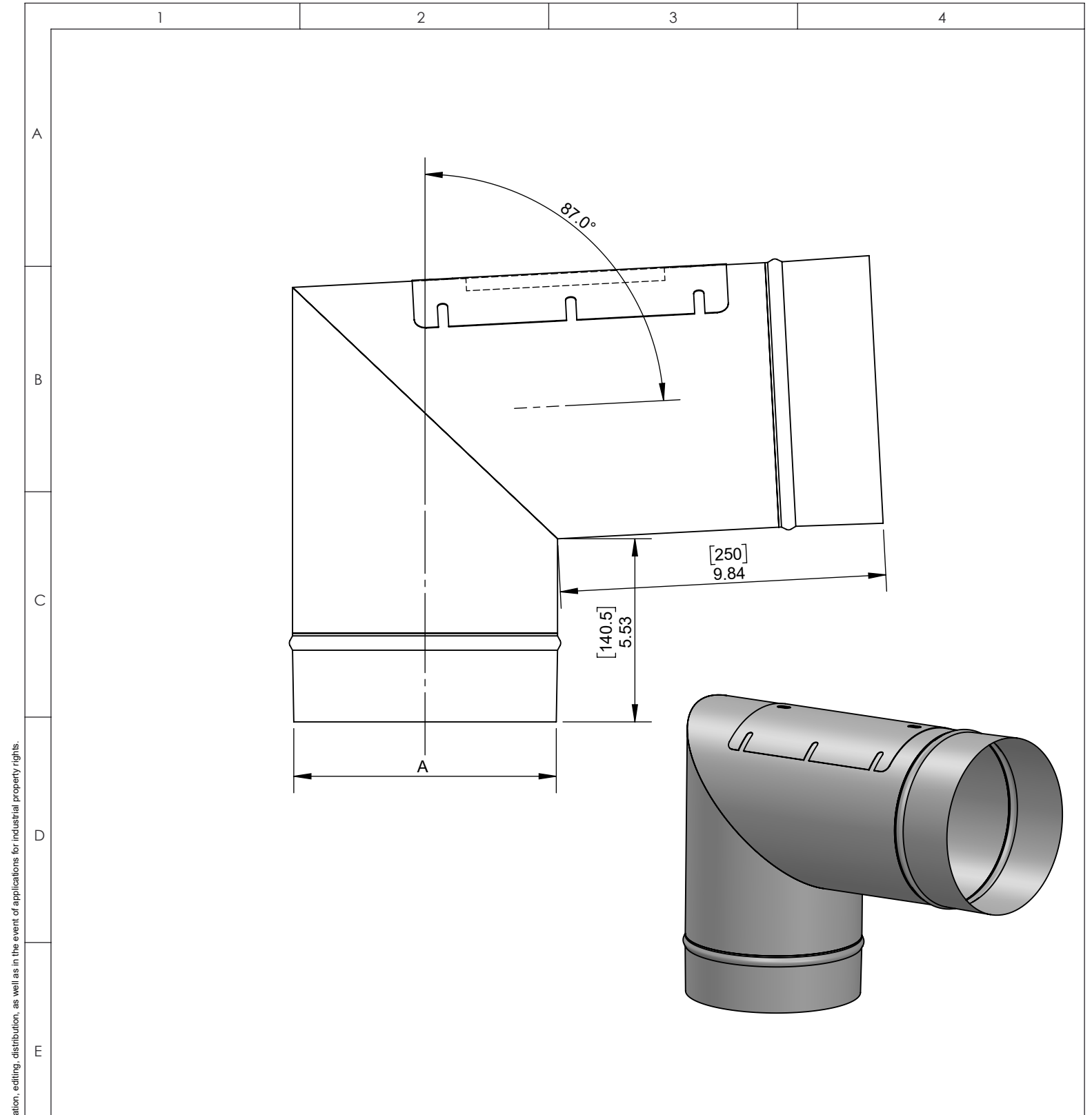
© NAKS Inc. All rights reserved, also regarding any disposal, exploitation, editing, distribution, as well as in the event of applications for industrial property rights.

	Ø	10	11	12	13	14	16	18	20	22	
	A	10	11	12	13	14	16	18	20	22	
F	material: inside/outside		surface: inside/outside		inch / lb		NORTH AMERICAN KITCHEN SOLUTIONS <small>INCORPORATED</small>				scale
	304		BA		revisions-no.						format
			date	name	description 48" Fixed Length				sheet		
			drawn by						code		
			checked by						SWNAKSØ-48L		
approved by				drawing no.							
		modified by									





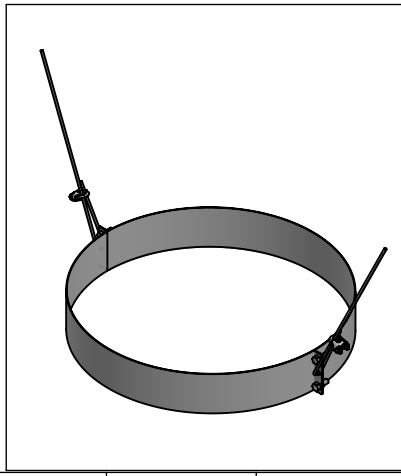
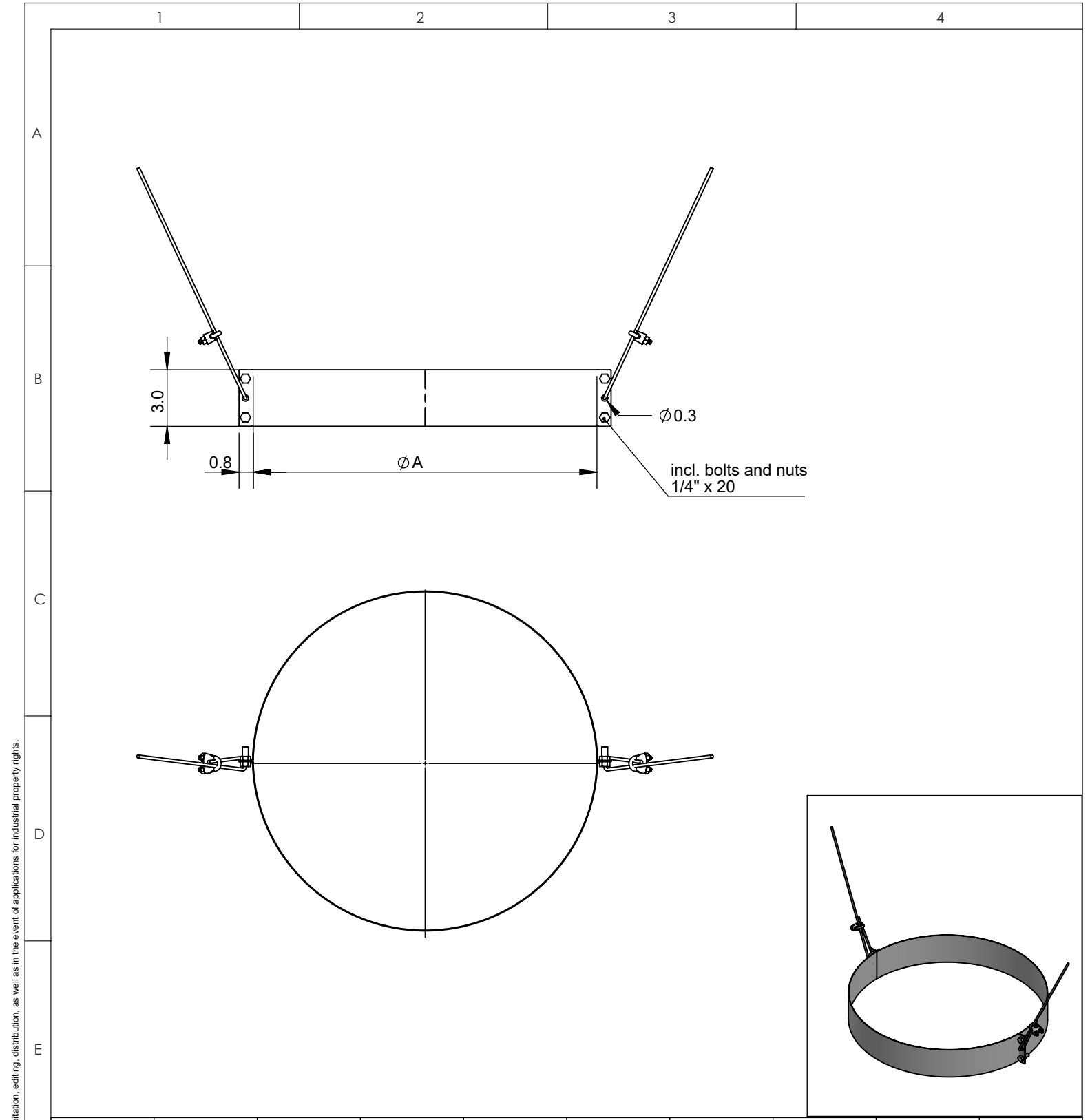
© NAKS Inc. All rights reserved, also regarding any disposal, exploitation, editing, distribution, as well as in the event of applications for industrial property rights.

	Ø	10	11	12	13	14	16	18	20	22		
	A	10	11	12	13	14	16	18	20	22		
F	material: inside/outside	304		surface: inside/outside	BA		inch / lb				scale	
				revisions-no.		 NORTH AMERICAN KITCHEN SOLUTIONS INCORPORATED				format		
				date	name					description	Inline Access Door	
				drawn by								sheet
				checked by								
			approved by			code	SWNAKSØ-IAD					
			modified by			drawing no.						





© NAKS Inc. All rights reserved, also regarding any disposal, exploitation, editing, distribution, as well as in the event of applications for industrial property rights.

	Ø	10	11	12	13	14	16	18	20	22		
	A	10	11	12	13	14	16	18	20	22		
F	material: inside/outside	304		surface: inside/outside	BA		inch / lb				scale	
				revisions-no.		 NORTH AMERICAN KITCHEN SOLUTIONS INCORPORATED				format		
				date	name					description	87 Degree Elbow w/ Access	
				drawn by								sheet
				checked by								
			approved by			code	SWNAKSØ-87EA					
			modified by			drawing no.						

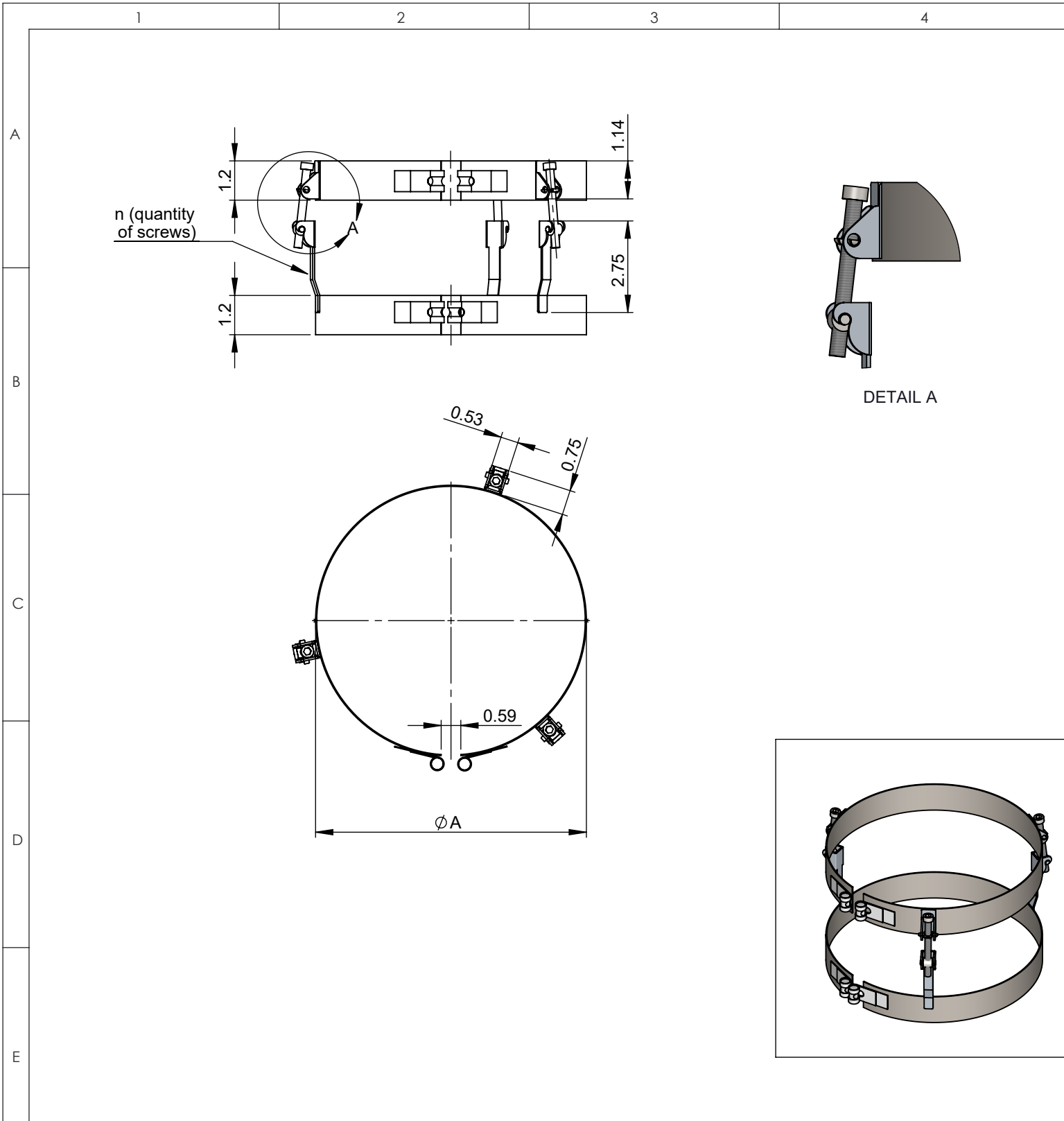


Ø	10	11	12	13	14	16	18	20	22
A	10	11	12	13	14	16	18	20	22

F	material: inside/outside	304	surface: inside/outside	BA	inch / lb		 NORTH AMERICAN KITCHEN SOLUTIONS INCORPORATED	scale
			revisions-no.		A			format
			date	name	description			US LETTER
			drawn by					sheet
			checked by					
		approved by				code		
		modified by				SWNAKSØ-LSB		
						drawing no.		

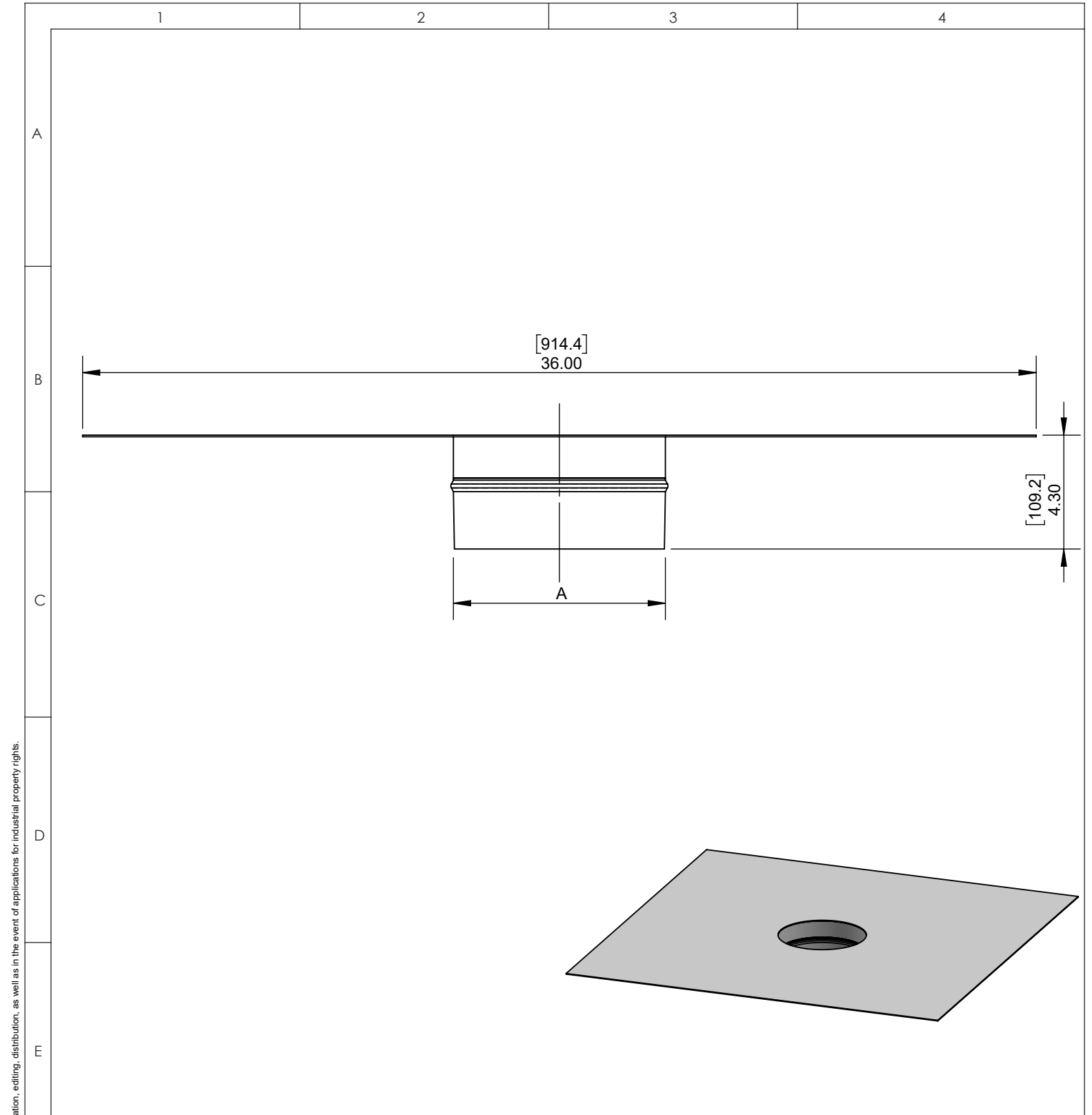
© NAKS Inc. All rights reserved, also regarding any disposal, exploitation, editing, distribution, as well as in the event of applications for industrial property rights.

© NAKS Inc. All rights reserved, also regarding any disposal, exploitation, editing, distribution, as well as in the event of applications for industrial property rights.




	Ø	10	11	12	13	14	16	18	20	22	
	A	10	11	12	13	14	16	18	20	22	
F	material: inside/outside	304		surface: inside/outside	BA		inch / lb				scale
							revisions-no. A				
					date	name	description KL Clamp				sheet
					drawn by						
					checked by						
				approved by		code SWNAKSØ-KLC				drawing no.	
				modified by							





© NAKS Inc. All rights reserved, also regarding any disposal, exploitation, editing, distribution, as well as in the event of applications for industrial property rights.

	Ø	10	11	12	13	14	16	18	20	22	
	A	10	11	12	13	14	16	18	20	22	
F	material: inside/outside	304		surface: inside/outside	BA		inch / lb				scale
				revisions-no.		 NORTH AMERICAN KITCHEN SOLUTIONS INCORPORATED				format	
					date					name	description
				drawn by			36"x36"			sheet	
				checked by			code	SWNAKSØ-FPE:36x36			
			approved by			drawing no.					
			modified by								